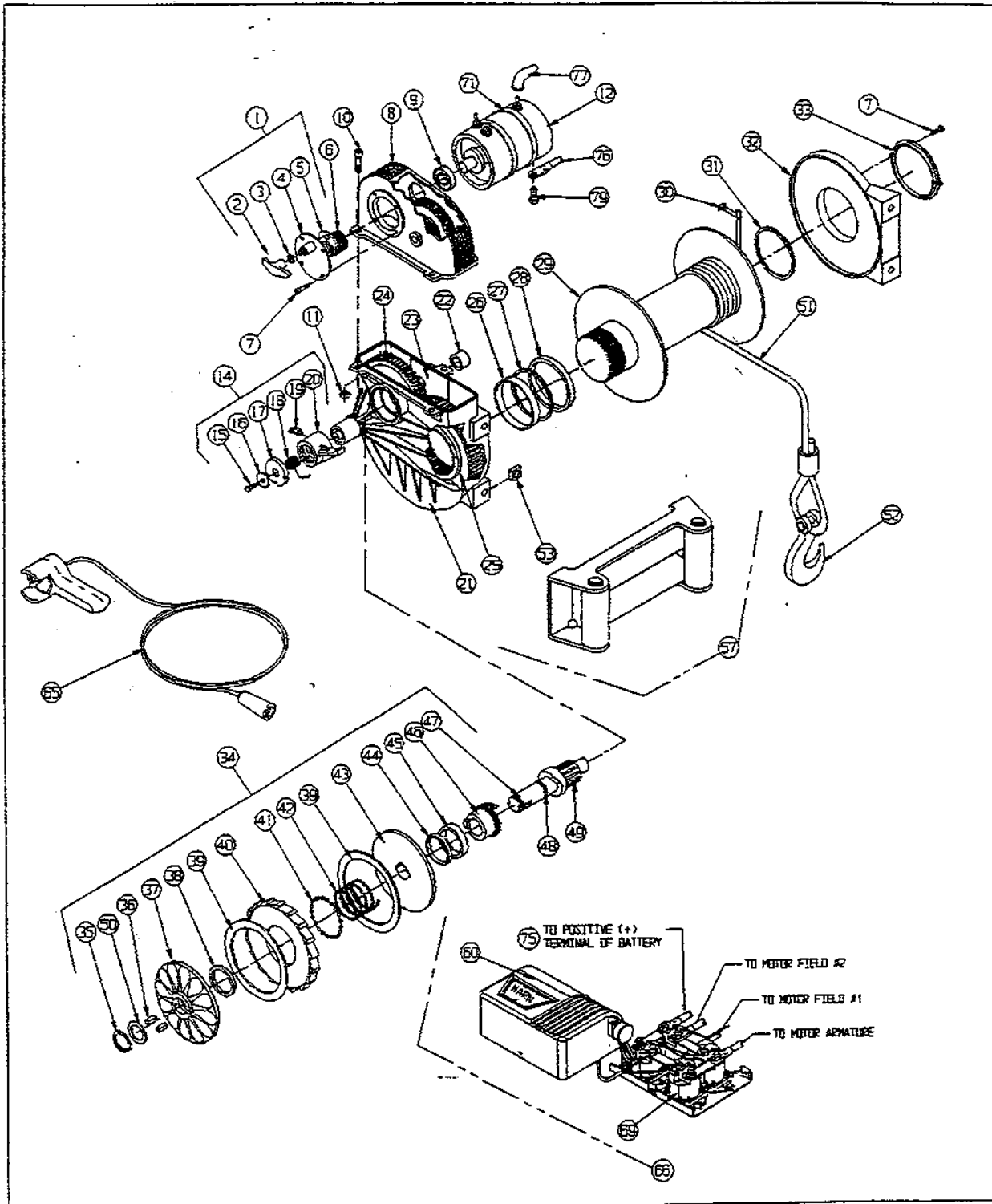


M8274-50

SERIAL NO. 344817 UP TO 348068



WARN M8274-50 WINCH REPLACEMENT PARTS LIST			
SERIAL NO. 344817 UP TO 348068			
P/N 38631 & 37583			
ORDERING INFORMATION: When ordering please give Warn Model number, Serial number & Battery voltage. Parts may be obtained through your local dealer or distributor.			
ITEM	QTY	PART NO.	DESCRIPTION
1	1	8326	CLUTCH ASSEMBLY (Includes items 2-5)
2	1	37474	SHIFT KNOB
3	1	7596	SEAL
4	1	37476	CLUTCH HOUSING
5	1	8322	SHIFTER ASSEMBLY
6	1	15879	MOTOR PINION GEAR
7	4	8763	SCREW, 10-24X3/8"
8	1	9285	UPPER HOUSING ASSEMBLY (Includes item 9 and gears)
NOTE: DUE TO TECHNICAL ASSEMBLY REQUIREMENTS, THE UPPER HOUSING AND CLUSTER GEARS ARE NOT SOLD SEPARATELY.			
9	1	8316	ARMATURE, BEARING
10	3	3962	CAPSCREW, 5/16-18"
11	3	7953	SQUARE NUT, 5/16-18
12	1	7536	MOTOR, 12V (includes item 6 & 79)
	1	8803	MOTOR, 24V (includes item 6 & 79)
14	1	7605	PAWL ASSEMBLY (Includes items 15 thru 20)
15	1	8867	CAPSCREW, 1/4-20X1/2"
16	1	9256	WASHER
17	1	9220	PROTECTIVE CAP
18	1	9257	PAWL SPRING
19	1	9245	GREASE FITTING
20	1	9258	PAWL
21	1	7594	LOWER HOUSING ASSEMBLY, (Includes items 22, 26, 27 & 28)
22	1	8356	BEARING
23	1	7552	RETAINING RING
24	1	7548	INTERMEDIATE GEAR
25	1	7550	MAIN GEAR
		8680	SERVICE KIT, LOWER HOUSING (Includes items 26 thru 28, & 31)
26	1		BUSHING (IN 8680 KIT)
27	1		SEAL (IN 8680 KIT)
28	1		THRUST WASHER (IN 8680 KIT)
29	1	7708	DRUM
30	1	2048	WIRE ROPE CLAMP
31	1	7610	BUSHING (IN 8680 KIT)
32	1	7632	END SUPPORT, ASSEMBLY (Includes items 31, 33 and 7)
33	1	7582	END CAP
34	1	7634	BRAKE ASSEMBLY, (Includes items 35 thru 50)
35	1	35028	RETAINING RING
36	2	7668	KEY

WARN M8274-50 WINCH REPLACEMENT PARTS LIST			
ORDERING INFORMATION: When ordering please give Warn Model, Serial number & Battery voltage. Parts may be obtained through your local dealer or distributor.			
ITEM	QTY	PART NO.	DESCRIPTION
		8409	SERVICE KIT, BRAKE (Includes items 35, 36, 38, 39, 41, 42, 44, 45, 48 and 50)
37	1	8703	OUTER BRAKE DISC
38	1		HUB (IN 8409 KIT)
39	2	9734	FRICITION MATERIAL
40	1	7601	RATCHET
41	21		STEEL BALL (IN 8409 KIT)
42	1		SPRING (IN 8409 KIT)
43	1	7600	INNER BRAKE DISC
44	1	7612	LIP SEAL
45	1	7611	BUSHING
46	1	7562	SPLINED CAM
47	1	7732	PINION AND CAM (Includes item 49)
48	1	7613	O-RING SEAL
49	1	(See item 47)	CAM
50	3	37472	SPRING, DISC BELLEVILLE
51	1	26749	WIRE ROPE ASSEMBLY
52	1	5320	HOOK, 3/8" CLEVIS
53	4	7616	SQUARE NUT
57	1	5742	FAIRLEAD, ROLLER
60	1	38199	CONTROL HOUSING, 12V, W/HARNESS, W/PLUG
	1	38200	CONTROL HOUSING, 12V, W/HARNESS, W/PLUG
65	1	38626	REMOTE CONTROL
66	1	38845	SOLENOID PACK, 12V
	1	38847	SOLENOID PACK, 24V
69	4	28396	SOLENOID, UPRIGHT TERMINAL
71	2	6005	CLAMP
75	1	33295	CABLE, ELECTRIC 2GA. 72" (RED)
76	1	15901	CABLE, ELECTRIC 2GA. 72" (BLACK)
77	3	2090	BOOT, ELECTRICAL TERMINAL
79	1	34402	HEX HEAD CAPSCREW, M8 X 2.25 X 20mm
	1	16127	HEX HEAD CAPSCREW, 5/16-24 X 1/2" (24V)
P/N 37492 REV B0			